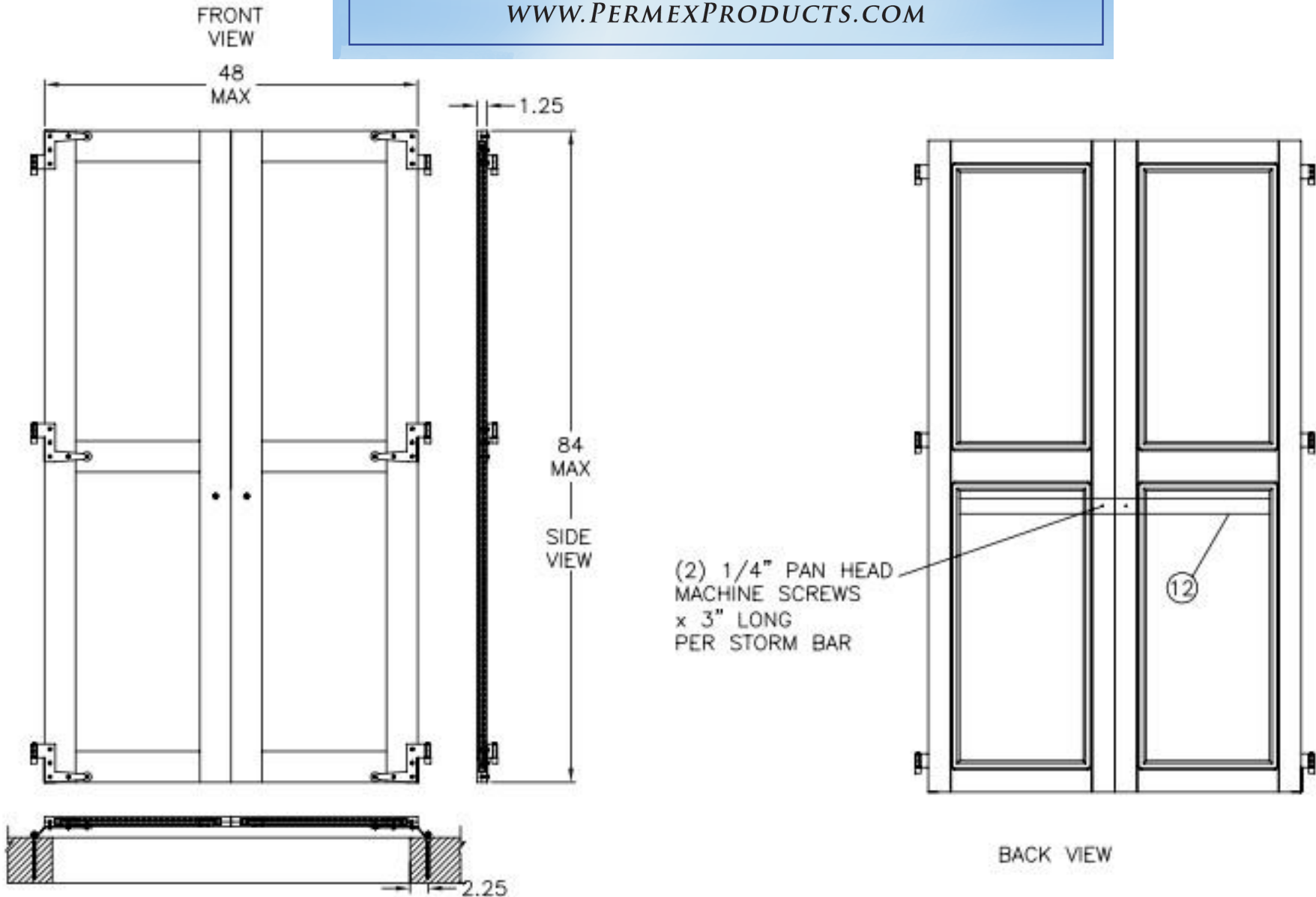


# PERMEX PRODUCTS

WWW.PERMEXPRODUCTS.COM



BOTTOM  
LOOKING UP

CAD File: PERMEX PRODUCTS

REV. DATE REVISIONS

BY:

PERMEX PRODUCTS

DATE: 1/1/2013

CHECKED BY:

DATE

DRAWN BY: M.E.C

CHECKED BY:

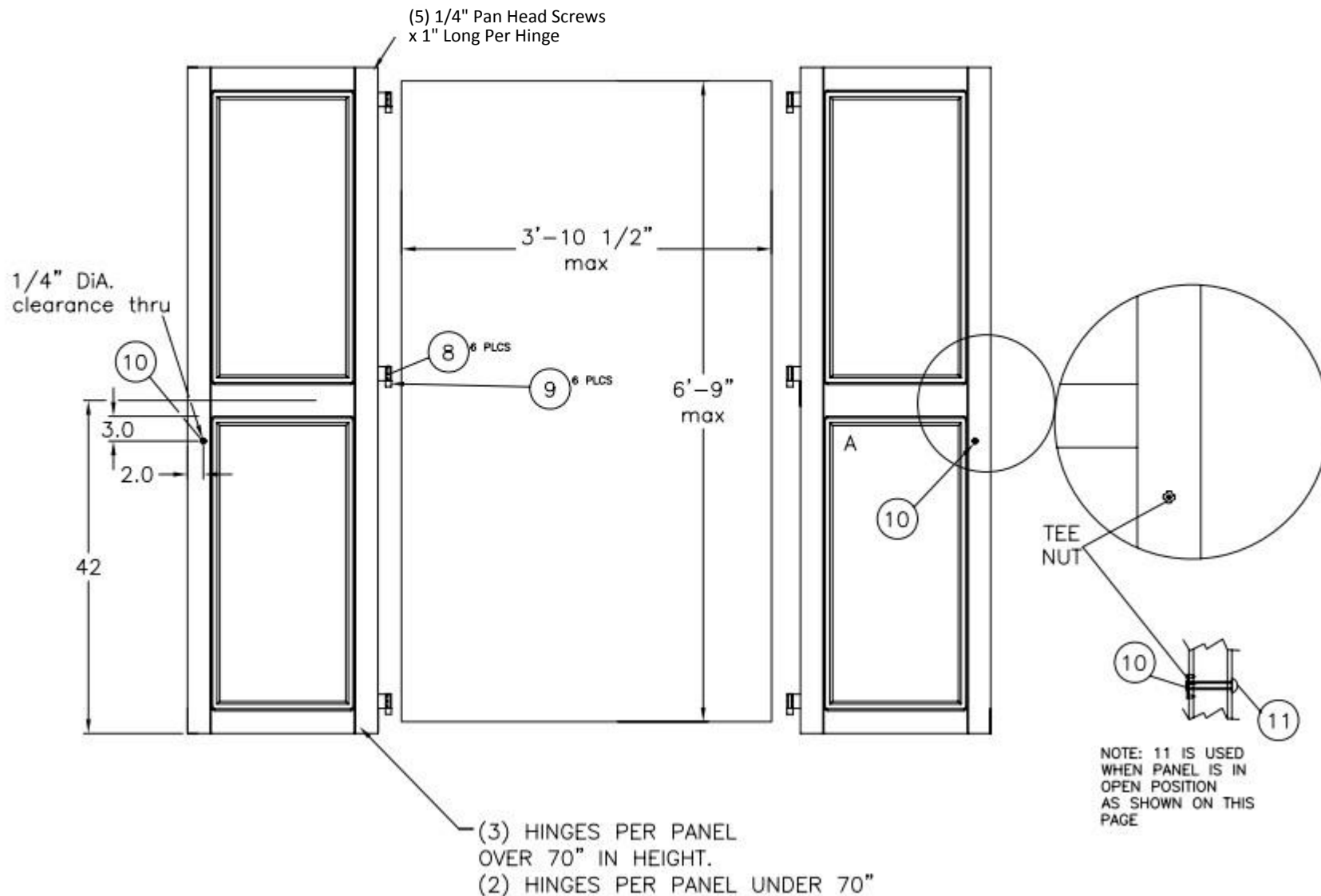
DATE

SCALE: USE DIMS SHOWN

PERMEX SHUTTER  
48"X84"  
SHEET No.  
1 of 6

# PERMEX PRODUCTS

WWW.PERMEXPRODUCTS.COM

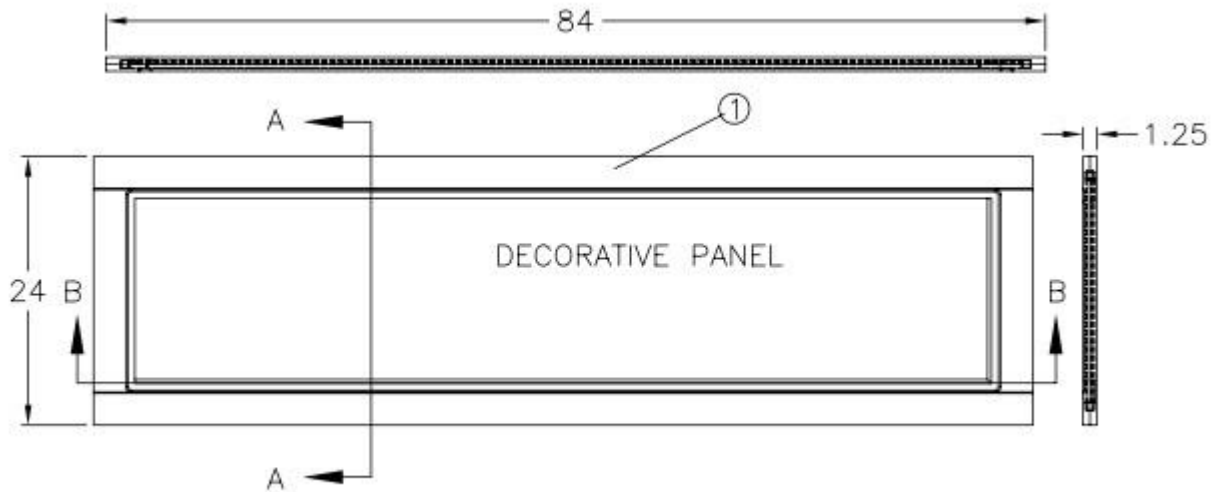


PERMEX SHUTTER  
48"X84"  
SHEET NO.  
2 of 6

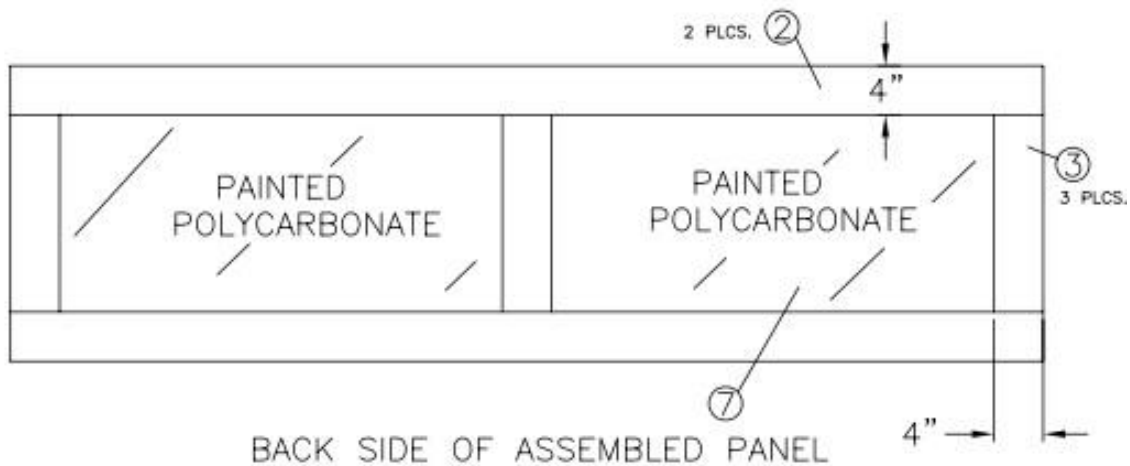
		CAD File: PERMEX PRODUCTS	REV. DATE REVISIONS				BY:
PERMEX PRODUCTS	DATE: 1/1/2013	CHECKED BY:	DATE				
	DRAWN BY: M.E.C						
	SCALE: USE DIMS SHOWN	CHECKED BY:	DATE				

# PERMEX PRODUCTS

WWW.PERMEXPRODUCTS.COM



FRONT OF ASSEMBLED PANEL



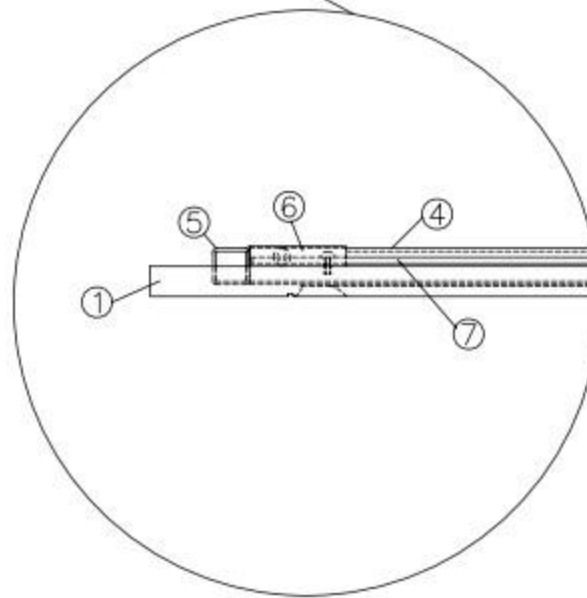
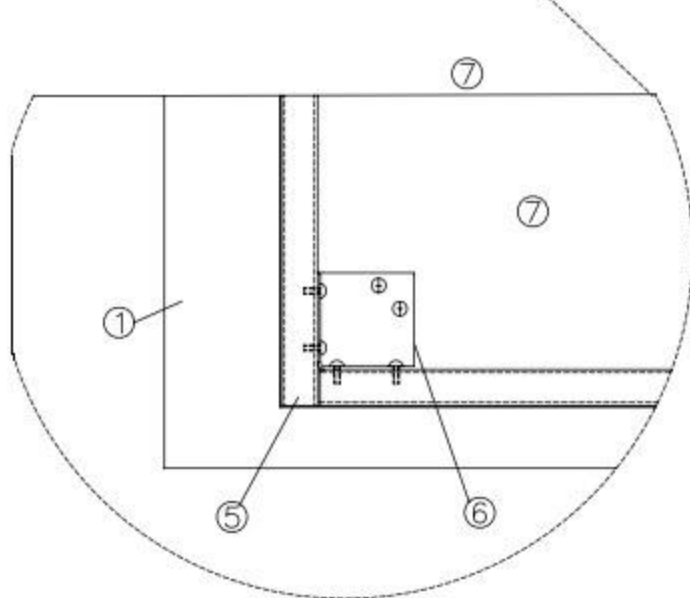
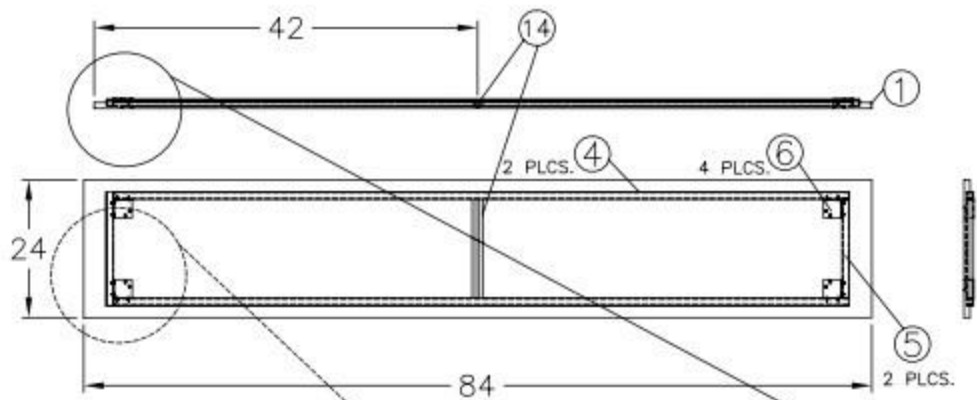
BACK SIDE OF ASSEMBLED PANEL

PERMEX SHUTTER  
48"X84"  
SHEET No.  
3 of 6

		CAD File: PERMEX PRODUCTS		REV. DATE REVISIONS				BY:
PERMEX PRODUCTS	DATE: 1/1/2013	CHECKED BY:	DATE					
	DRAWN BY: M.E.C							
	SCALE: USE DIMS SHOWN	CHECKED BY:	DATE					

# PERMEX PRODUCTS

WWW.PERMEXPRODUCTS.COM



PERMEX SHUTTER  
48"X84"  
SHEET NO.  
4 of 6

CAD File: PERMEX PRODUCTS		REV. DATE REVISIONS				BY:
PERMEX PRODUCTS	DATE: 1/1/2013	CHECKED BY:	DATE			
	DRAWN BY: M.E.C					
	SCALE: USE DIMS SHOWN	CHECKED BY:	DATE			

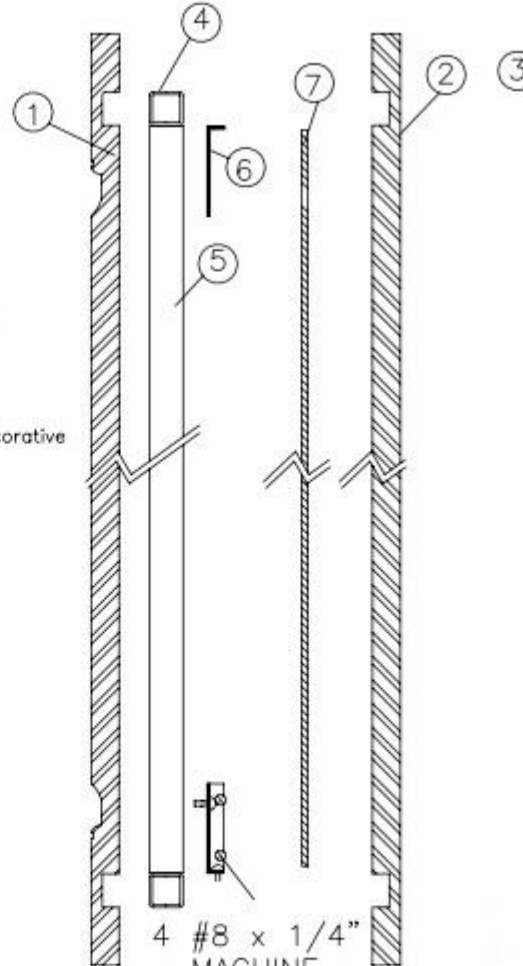
# PERMEX PRODUCTS

WWW.PERMEXPRODUCTS.COM



NOTE: ADHESIVES:

1. 3M 4475 Glue for Steel to CPVC  
Item #4 or 5 to #1.
2. GE SILPROOF Epoxy for Lexan to Corner  
Brackets Item #7 to Item #6.
3. IPS 4007 PVC TO PVC.
4. 1" SS BRADS Secure Back Strips to Decorative  
Panel Items #2 & 3 to Item #1.



SECTIONS  
EXPLODED

SECTIONS

EXPLODED

CAD File: PERMEX PRODUCTS

REV. DATE REVISIONS

BY:

PERMEX PRODUCTS

DATE: 1/1/2013

CHECKED BY:

DATE

DRAWN BY: M.E.C

CHECKED BY:

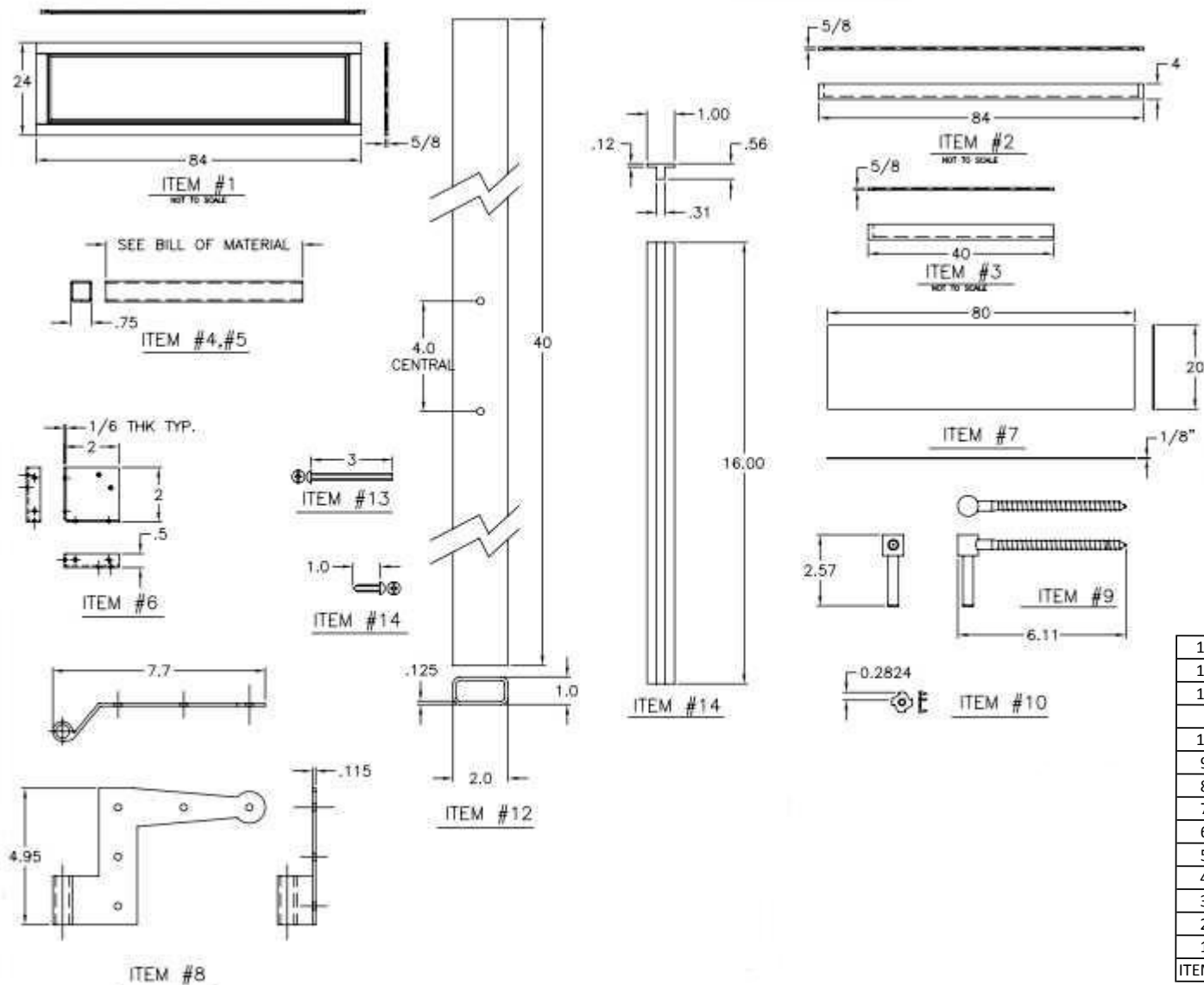
DATE

SCALE: USE DIMS SHOWN

PERMEX SHUTTER  
48"X84"  
SHEET No.  
5 of 6

# PERMEX PRODUCTS

WWW.PERMEXPRODUCTS.COM



14	1	ALUM PIECE UNDER DIVIDER RAIL SEE DRAWING
13	1	1/4" X 3" LG PAN HEAD MACHINE SCREW
12	1	1"X 2'X1/8' WALL X 40" LG REC, TUB, STORM BAR
10	2	TEE NUT
9	12	SCREW/HINGE PIECE
8	12	PANEL HINGE PIECE
7	1	20X80X1/8" THICK POLYCARBONATE
6	4	1/6" THICK PLATE BENT TO 2X2X1/2" BRACKET
5	2	3/4" SO STEEL TUBE X 20" LG
4	2	3/4" SO STEEL TUBE X 81" LG
3	3	4X16X5/8 CPVC
2	2	4X84X5/8 CPVC
1	1	48X84X5/8 CPVC
ITEM#	QUAN.	DESCRIPTION

PERMEX SHUTTER  
 48"X84"  
 SHEET NO.  
 6 of 6

		CAD File: PERMEX PRODUCTS		REV. DATE REVISIONS			BY:
PERMEX PRODUCTS	DATE: 1/1/2013	CHECKED BY:	DATE				
	DRAWN BY: M.E.C						
	SCALE: USE DIMS SHOWN	CHECKED BY:	DATE				