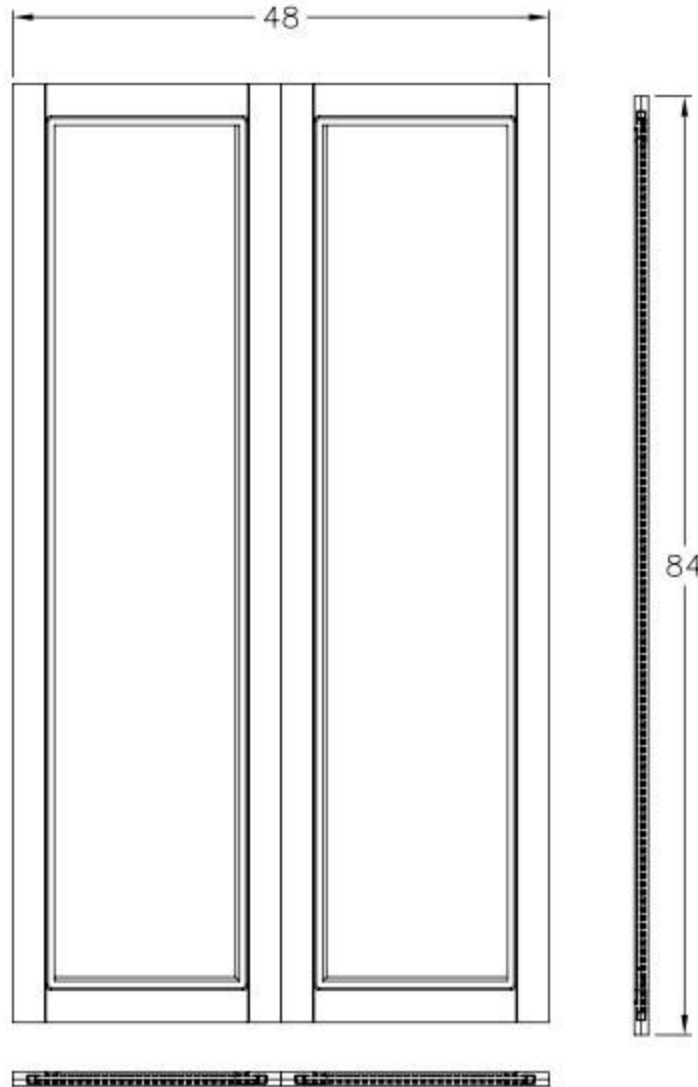


PERMEX PRODUCTS

WWW.PERMEXPRODUCTS.COM



mounting hardware
to be shown w/
locations this page

CAD File: PERMEX PRODUCTS

REV. DATE REVISIONS

BY:

PERMEX PRODUCTS

DATE: 1/1/2013

CHECKED BY:

DATE

DRAWN BY: M.E.C

SCALE: USE DIMS SHOWN

CHECKED BY:

DATE

PERMEX SHUTTER

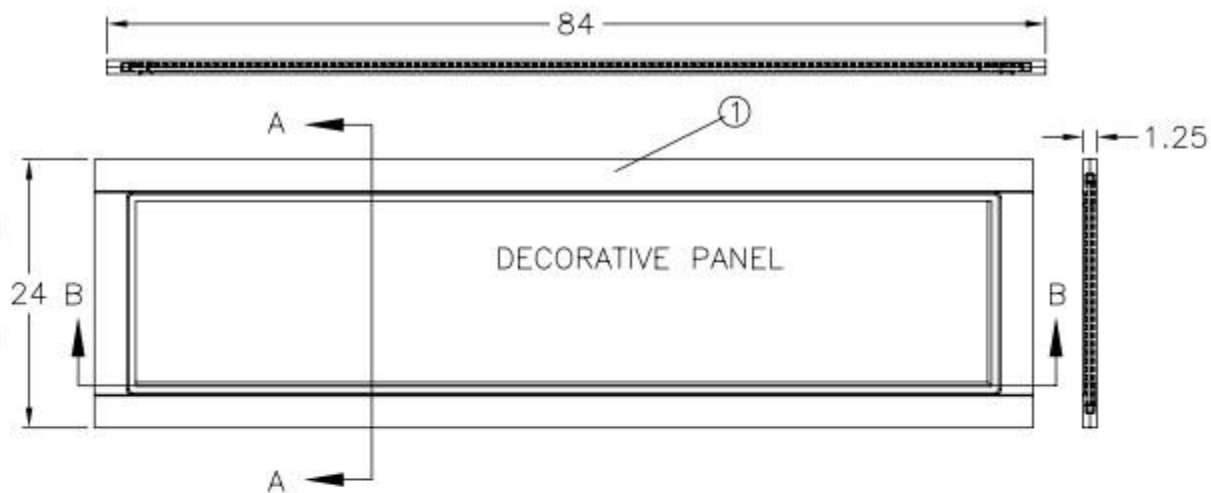
48"X84"

SHEET No.

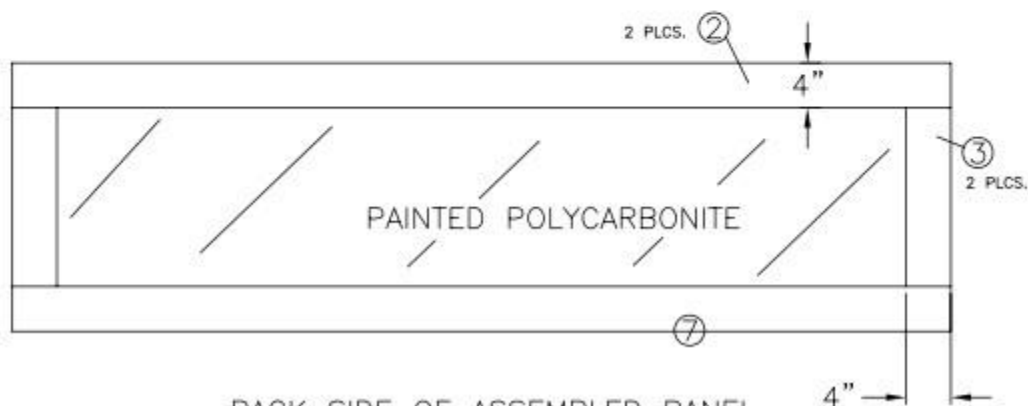
1 of 5

PERMEX PRODUCTS

WWW.PERMEXPRODUCTS.COM



FRONT OF ASSEMBLED PANEL



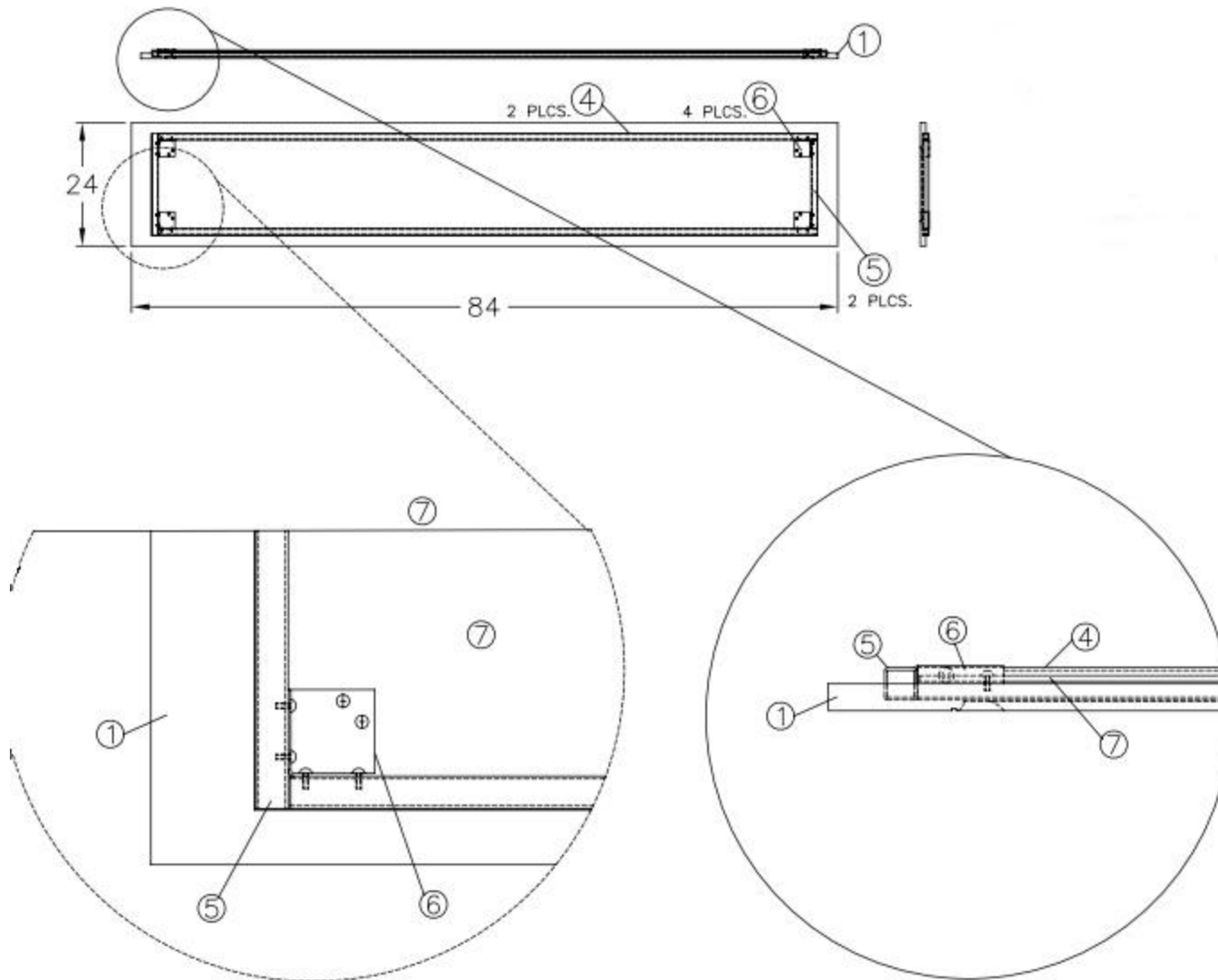
BACK SIDE OF ASSEMBLED PANEL

PERMEX SHUTTER
48"X84"
SHEET NO.
2 of 5

		CAD File: PERMEX PRODUCTS	REV. DATE REVISIONS				BY:
PERMEX PRODUCTS	DATE: 1/1/2013	CHECKED BY:	DATE				
	DRAWN BY: M.E.C						
	SCALE: USE DIMS SHOWN	CHECKED BY:	DATE				

PERMEX PRODUCTS

WWW.PERMEXPRODUCTS.COM



PERMEX SHUTTER
48"X84"
SHEET No.
3 of 5

		CAD File: PERMEX PRODUCTS		REV. DATE REVISIONS				BY:
PERMEX PRODUCTS	DATE: 1/1/2013	CHECKED BY:	DATE					
	DRAWN BY: M.E.C							
	SCALE: USE DIMS SHOWN	CHECKED BY:	DATE					

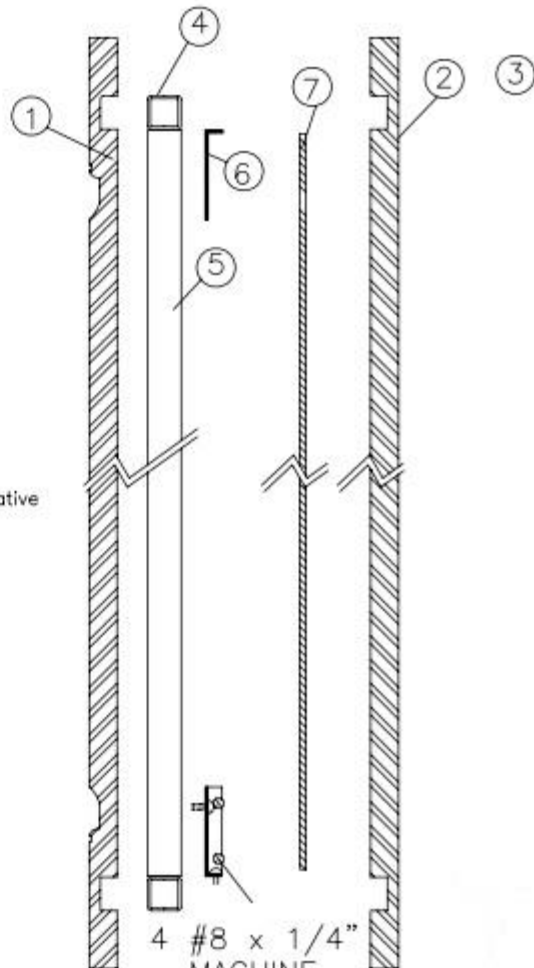
PERMEX PRODUCTS

WWW.PERMEXPRODUCTS.COM



SECTION A-A
SECTION B-B

- NOTE: ADHESIVES:
1. 3M 4475 Glue for Steel to CPVC
Item #4 or 5 to #1.
 2. GE SILPROOF Epoxy for Lexan to Corner
Brackets Item #7 to Item #6.
 3. IPS 4007 PVC TO PVC.
 4. 1" SS BRADS Secure Back Strips to Decorative
Panel Items #2 & 3 to Item #1.



4 #8 x 1/4"
MACHINE
OVAL HEAD
SCREWS/BRACKET

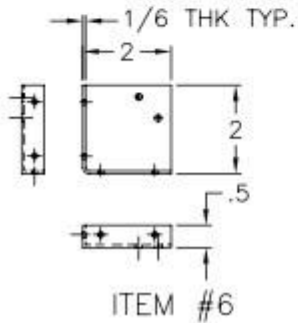
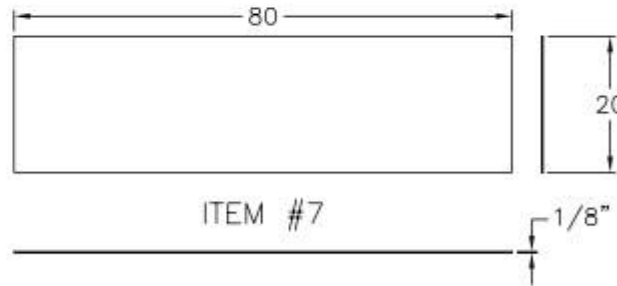
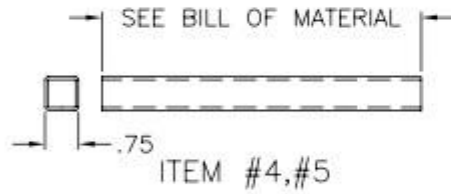
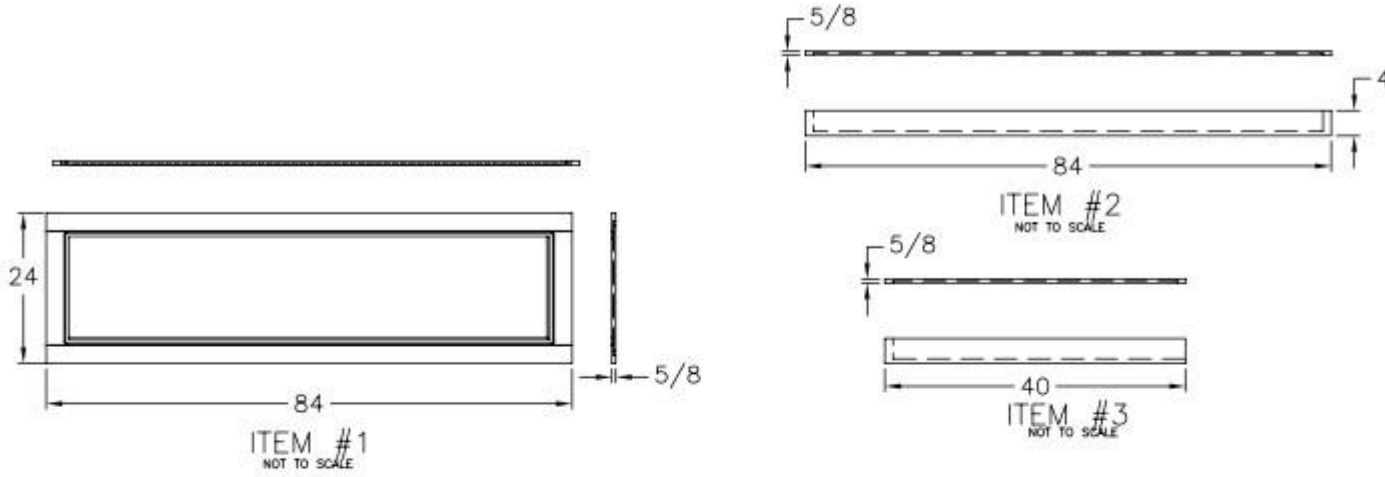
SECTIONS
EXPLODED

PERMEX SHUTTER
 48"X84"
 SHEET NO.
 4 OF 5

		CAD File: PERMEX PRODUCTS	REV. DATE REVISIONS				BY:
PERMEX PRODUCTS	DATE: 1/1/2013	CHECKED BY:	DATE				
	DRAWN BY: M.E.C						
	SCALE: USE DIMS SHOWN	CHECKED BY:	DATE				

PERMEX PRODUCTS

WWW.PERMEXPRODUCTS.COM



14	1	ALUM PIECE UNDER DIVIDER RAIL SEE DRAWING
13	1	1/4" X 3" LG PAN HEAD MACHINE SCREW
12	1	1"X 2'X1/8' WALL X 40" LG REC, TUB, STORM BAR
10	2	TEE NUT
9	12	SCREW/HINGE PIECE
8	12	PANEL HINGE PIECE
7	1	20X80X1/8" THICK POLYCARBONATE
6	4	1/6" THICK PLATE BENT TO 2X2X1/2" BRACKET
5	2	3/4" SO STEEL TUBE X 20" LG
4	2	3/4" SO STEEL TUBE X 81" LG
3	3	4X16X5/8 CPVC
2	2	4X84X5/8 CPVC
1	1	48X84X5/8 CPVC
ITEM#	QUAN.	DESCRIPTION

CAD File: PERMEX PRODUCTS
CHECKED BY:
CHECKED BY:

REV. DATE REVISIONS

BY:

PERMEX PRODUCTS

DATE: 1/1/2013

CHECKED BY:

DATE

DRAWN BY: M.E.C

SCALE: USE DIMS SHOWN

CHECKED BY:

DATE

PERMEX SHUTTER

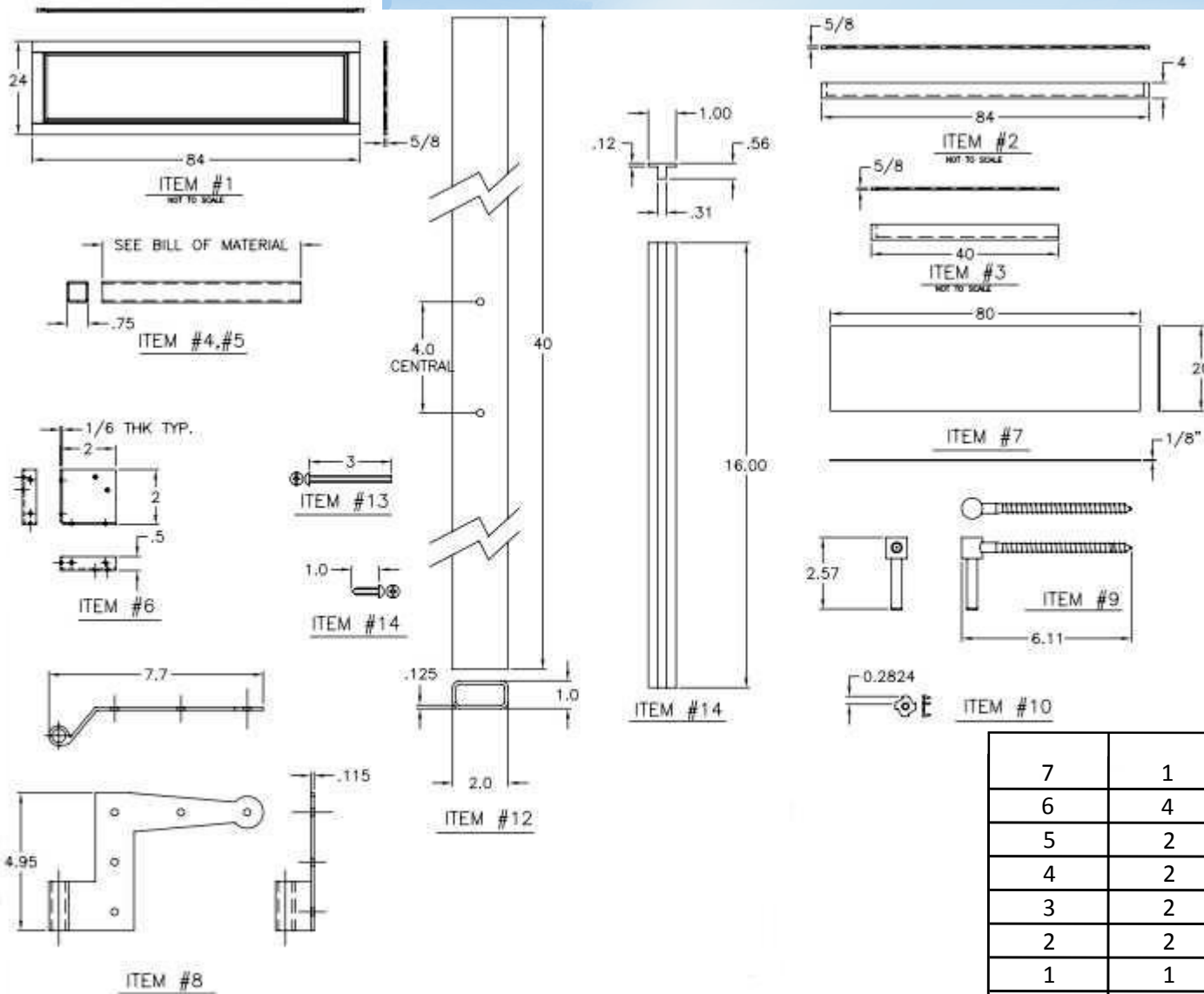
48"X84"

SHEET No.

5 of 5

PERMEX PRODUCTS

WWW.PERMEXPRODUCTS.COM



ITEM#	QUAN.	DESCRIPTION
7	1	20X80X1/8" THICK POLYCARBONATE
6	4	1/6" THICK PLATE BENT TO 2X2X1/2" BRACKET
5	2	3/4" SQ STEEL TUBE X 20" LG
4	2	3/4" SQ STEEL TUBE X 81" LG
3	2	4X16X5/8 CPVC
2	2	4X84X5/8 CPVC
1	1	48X84X5/8 CPVC
ITEM#	QUAN.	DESCRIPTION

PERMEX SHUTTER
 48" X 84"
 SHEET NO.
 2 of 6

PERMEX PRODUCTS		CAD File: PERMEX PRODUCTS		REV. DATE REVISIONS				BY:
PERMEX PRODUCTS	DATE: 1/1/2013	CHECKED BY:	DATE					
	DRAWN BY: M.E.C							
	SCALE: USE DIMS SHOWN	CHECKED BY:	DATE					